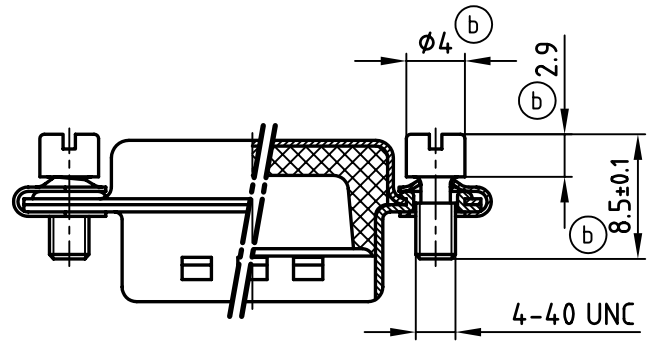
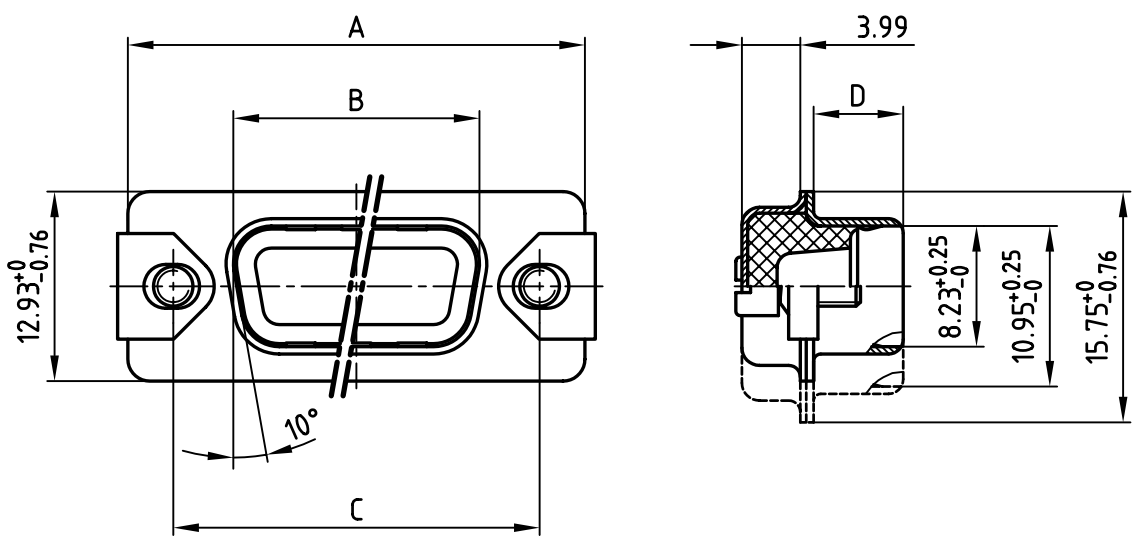


used for: D-SUB



Part No.	Shellsize	A -0.76	B +0.25	C	D -0.3
165X14719X	1	31.19	16.79	25.00 <sup>+0.12</sup> / <sub>-0.13</sub>	6.12
165X14729X	2	39.52	25.12	33.30 <sup>+0.15</sup> / <sub>-0.1</sub>	6.12
165X14739X	3	53.42	38.84	47.04 ±0.13	5.99
165X14749X	4	69.70	55.30	63.50 ±0.13	5.99
165X14759X	5	67.31	52.68	61.10 <sup>+0.14</sup> / <sub>-0.11</sub>	5.99

NOTES:

1. METAL SHELLS: COPPER ALLOY; min. 320µ" TIN
2. INSULATOR: TPE
3. CLAMPS: STAINLESS STEEL
4. SCREWS: STAINLESS STEEL

Directive 2002/95/EC  
"RoHS"  
Compliant

THIS DRAWING MAY NOT BE COPIED OR REPRODUCED IN ANY WAY, AND MAY NOT BE PASSED ON TO A THIRD PARTY WITHOUT WRITTEN PERMISSION. OWNERSHIP AND COPYRIGHT OF CONEC GmbH DO NOT ALTER CAD DRAWING BY HAND

tolerance		scale:	
2001	date	2:1	
drawn	10.09.	material: SEE NOTES	
appd.	10.09.	title:	
norm	DIN 41652	HOOD 9-50pos. for socket connector water resistant, shielded for EMI/RFI	
d-old		dwg no: AutoCAD 2000	
1 x c	Ä 1912	DIN-A	
3 x b	Ä 1788	4	
rev.	description	sh: 1/1	



part no: SEE TABLE	
--------------------	--